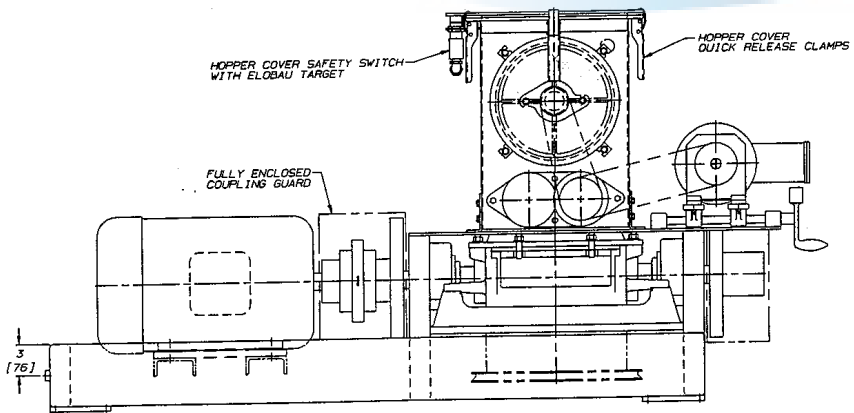
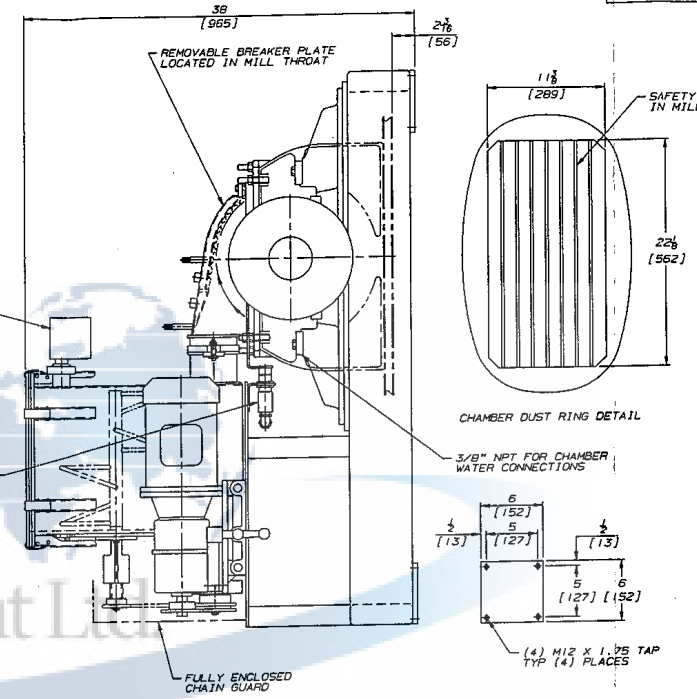
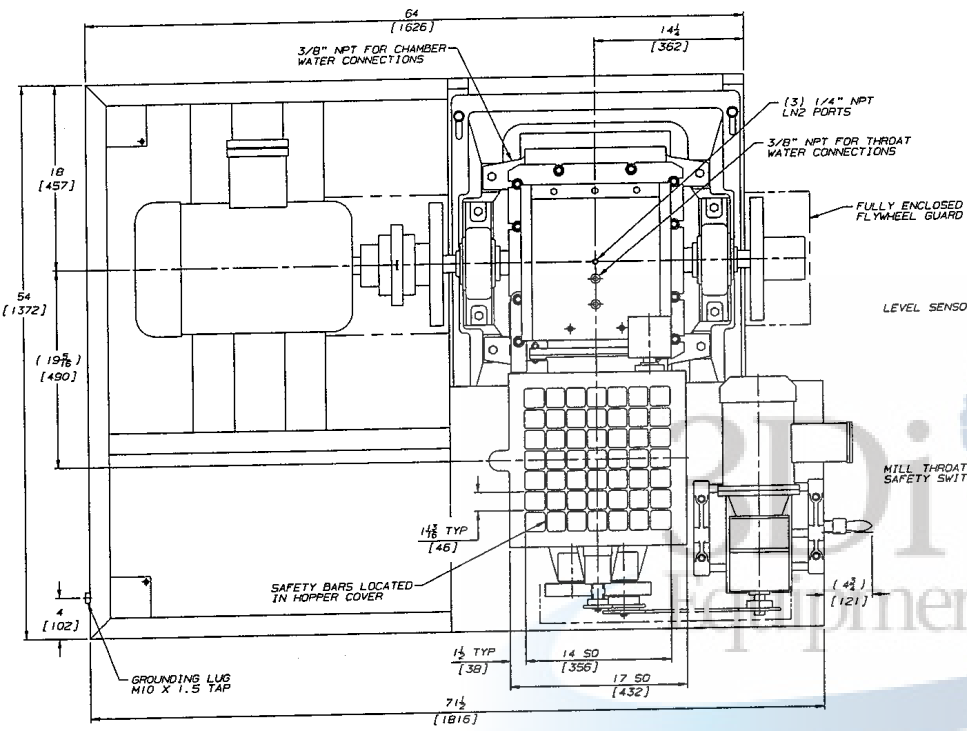


ALL DIMENSIONS ARE NOMINAL
 () = REFERENCE DIMENSIONS
 [] = MILLIMETERS



DO NOT SCALE DRAWING

MATERIAL		AS REQUESTED				
TITLE	DATE	RCW	REV	DESCRIPTION	DATE	EDN
WJ-VFS-DC-FAS012-SSB	1/18/01					
DESIGNED		CHECKED		DRAWN		SCALE
BY PATRICK						1000-4100
						DRAWING NUMBER
						3/16, 1

1000-3971 D